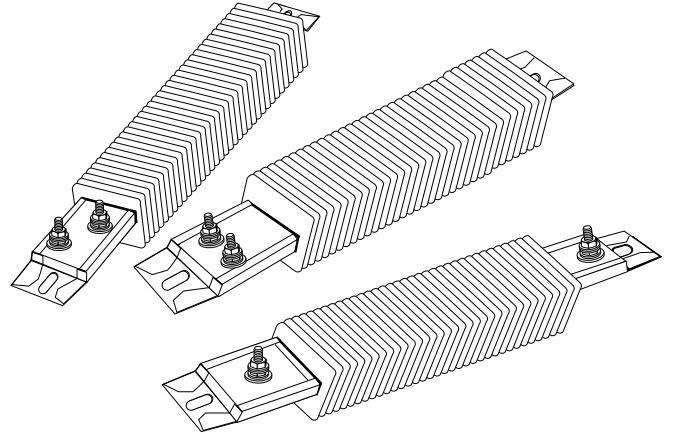


# 375 FINNED STRIP

## Efficiently Conducts Heat From Nickel- Chrome Element Wire to the Sheath



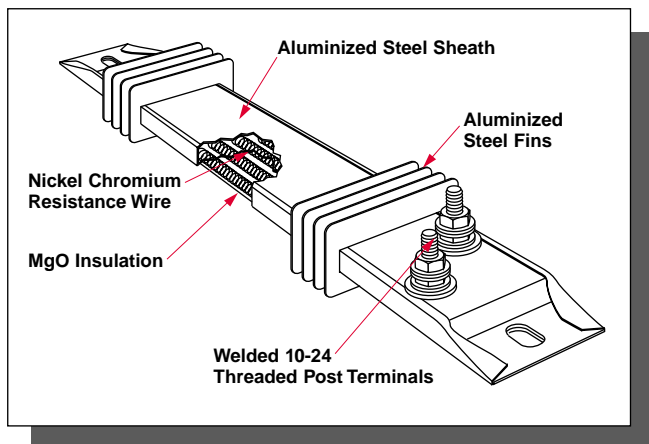
Like its 375 strip counterpart, the 375 finned strip heater is constructed of highly-compacted MgO-based insulation, which conducts heat efficiently from the nickel-chrome element wire to the sheath. Two inch wide (51 mm) aluminized steel fins are attached in a way that maximizes surface contact so that heat is displaced and transferred into the air faster.

### Performance Capabilities

- Aluminized steel sheath temperatures to 1100°F (595°C)
- UL® approved to 240V~(ac) (File No. E52951)
- CSA approved to 600V~(ac) (File No. LR7392)

### Applications

- Shrink tunnels
- Duct heaters
- Space heaters
- Drying ovens
- Incubators
- Air heating
- Load bank resistors
- Heat curing
- Ink drying
- Food warmers
- Moisture protection
- Process welding
- Dehumidifiers
- Stress relieving ovens



### Features and Benefits

#### Nickel-chrome element wire centered in the heater

- Uniformly heats the strip

#### Aluminized steel sheath

- Operates at higher temperatures and resists corrosion better than iron-sheathed heaters

#### Optional 430 stainless steel sheath

- Available for more corrosive environments

#### Welded post terminals

- Produce strong, trouble-free connections

#### Rigid 3/8 inch (9.5 mm) thick design

- Enables the 375 finned strip heater to fit many existing applications

#### Available lengths

- From 5½ inches (140 mm) to 48 inches (1220 mm)



12001 Lackland Road  
St. Louis, Missouri 63146 USA  
Phone: (314) 878-4600  
FAX: (314) 878-6814  
Internet: [www.watlow.com](http://www.watlow.com)  
e-mail: [info@watlow.com](mailto:info@watlow.com)

UL® is a registered trademark of Underwriter's Laboratories, Inc.

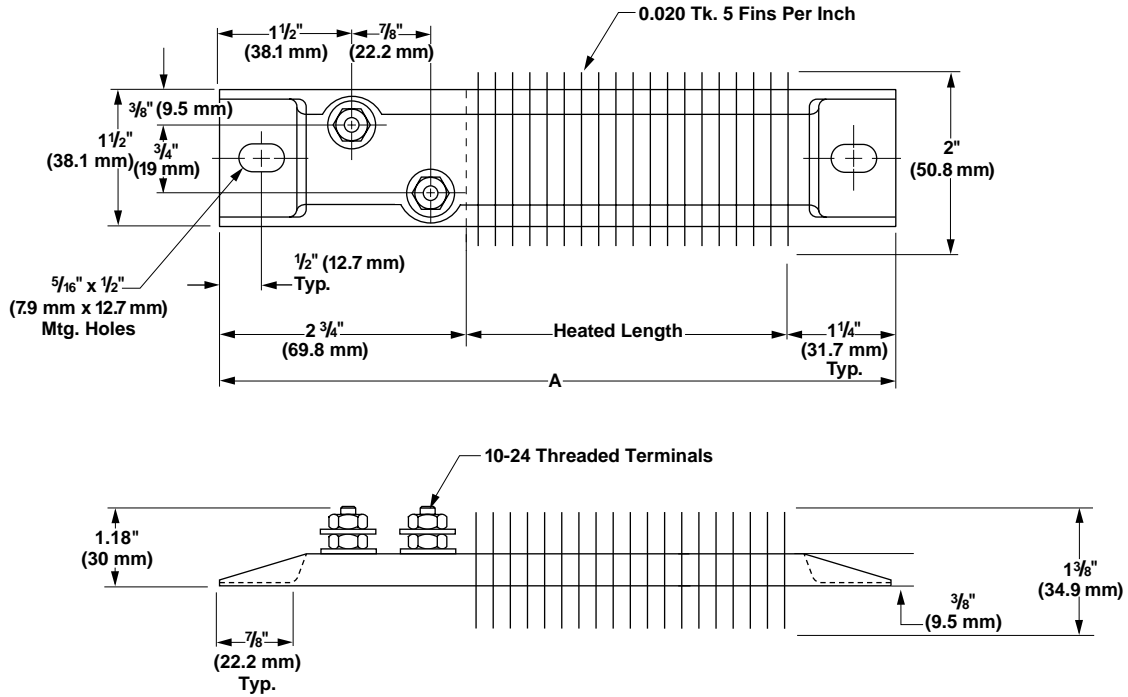
FAX-1903-1100

# 375 FINNED STRIP

## Termination Options

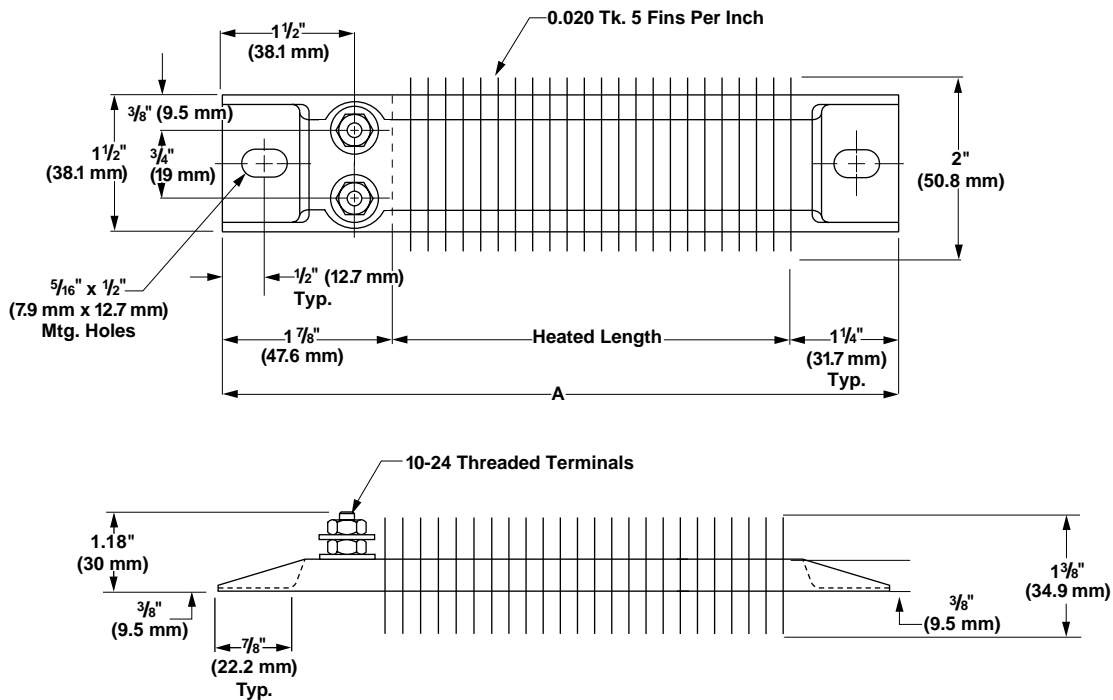
### Offset Terminals

Two 10-24 threaded post terminals are offset from each other on the same end.



### Parallel Terminals

Two 10-24 threaded post terminals are used; both terminals on one end.

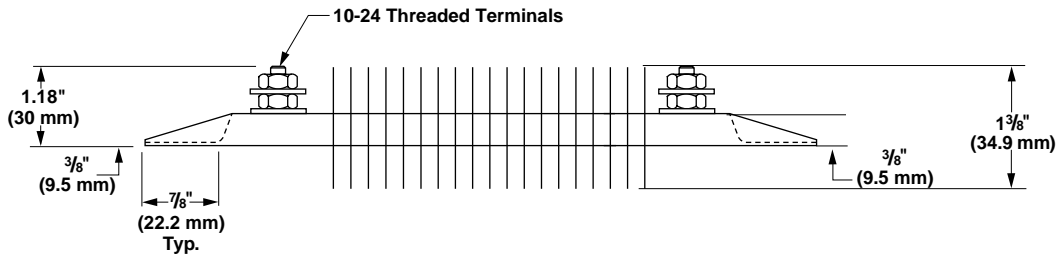
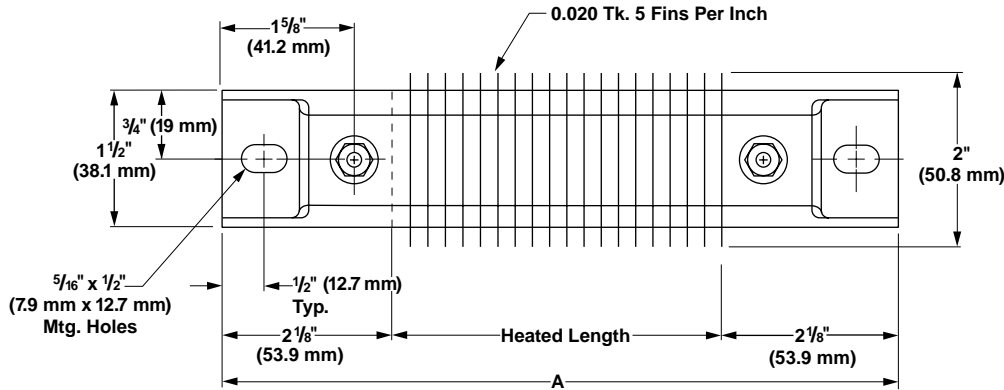


# 375 FINNED STRIP

## Termination Options (continued)

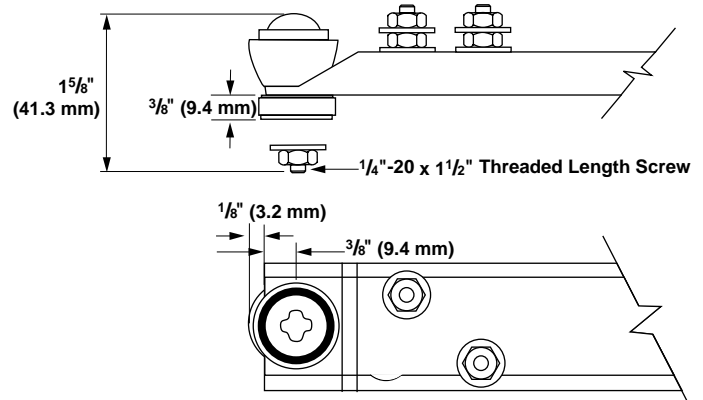
### One-on-One Terminals

Two 10-24 threaded post terminals are used; one terminal on each end.



### Secondary Insulation Bushings

Insulators are suitable for use when air heating and/or voltage to ground is a concern. Secondary insulation bushing kit contains one set of bushings for one heater. To accommodate the bushings,  $1\frac{1}{2} \times \frac{1}{16}$  inch diameter mounting holes must be specified when ordering.



## How to Order

To order your stock 375 finned strip, specify:

- 375 finned strip
- Quantity
- Watlow code number (from Watlow Heater's catalog)
- Voltage
- Wattage
- Removal of mounting tabs, if desired

If stock units do not meet application needs, Watlow can manufacture 375 finned strip heaters to your requirements.

For Made-to-Order units, please specify, in addition to above information:

- Width
- Length, including mounting tabs
- Terminal type (offset, parallel or one-on-one)

## Availability

- Assembly Stock: Shipment within three working days
- Made-to-Order: Consult a Watlow sales engineer or authorized distributor.